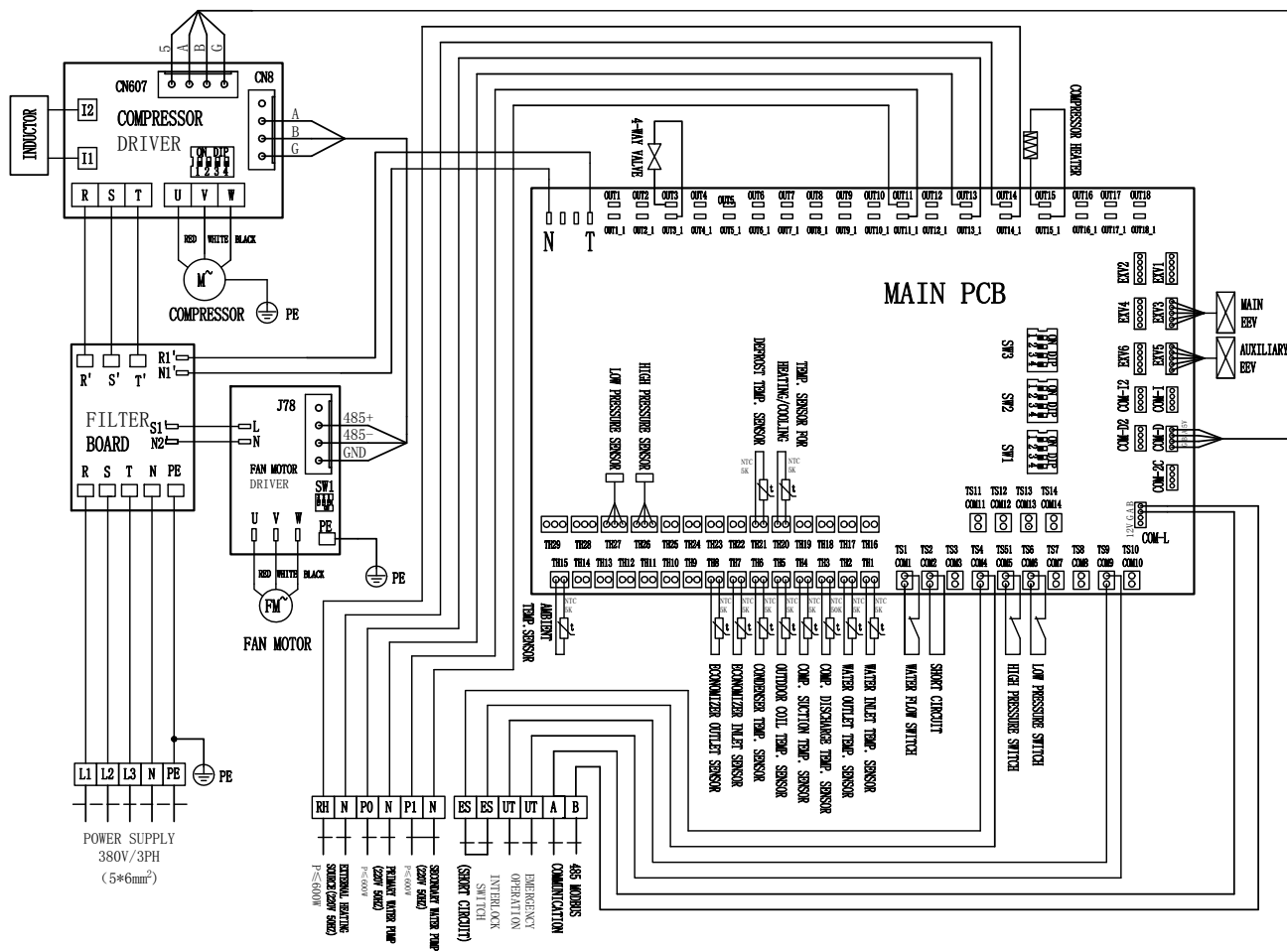


# WIRING DIAGRAM

NCJXT00336A00-F



**MAIN PCB-SW1**  
Dip switch OFF: 0, ON: 1

SW1 address	1	2	3	4
Unit no. 1	0	0	0	0
Unit no. 2	0	0	0	1
Unit no. 3	0	0	1	0
Unit no. 4	0	0	1	1
Unit no. 5	0	1	0	0
Unit no. 6	0	1	0	1
Unit no. 7	0	1	1	0
Unit no. 8	0	1	1	1
Unit no. 9	1	0	0	0
Unit no. 10	1	0	0	1
Unit no. 11	1	0	1	0
Unit no. 12	1	0	1	1
Unit no. 13	1	1	0	0
Unit no. 14	1	1	0	1
Unit no. 15	1	1	1	0
Unit no. 16	1	1	1	1

Note: Default setting is unit no. 1