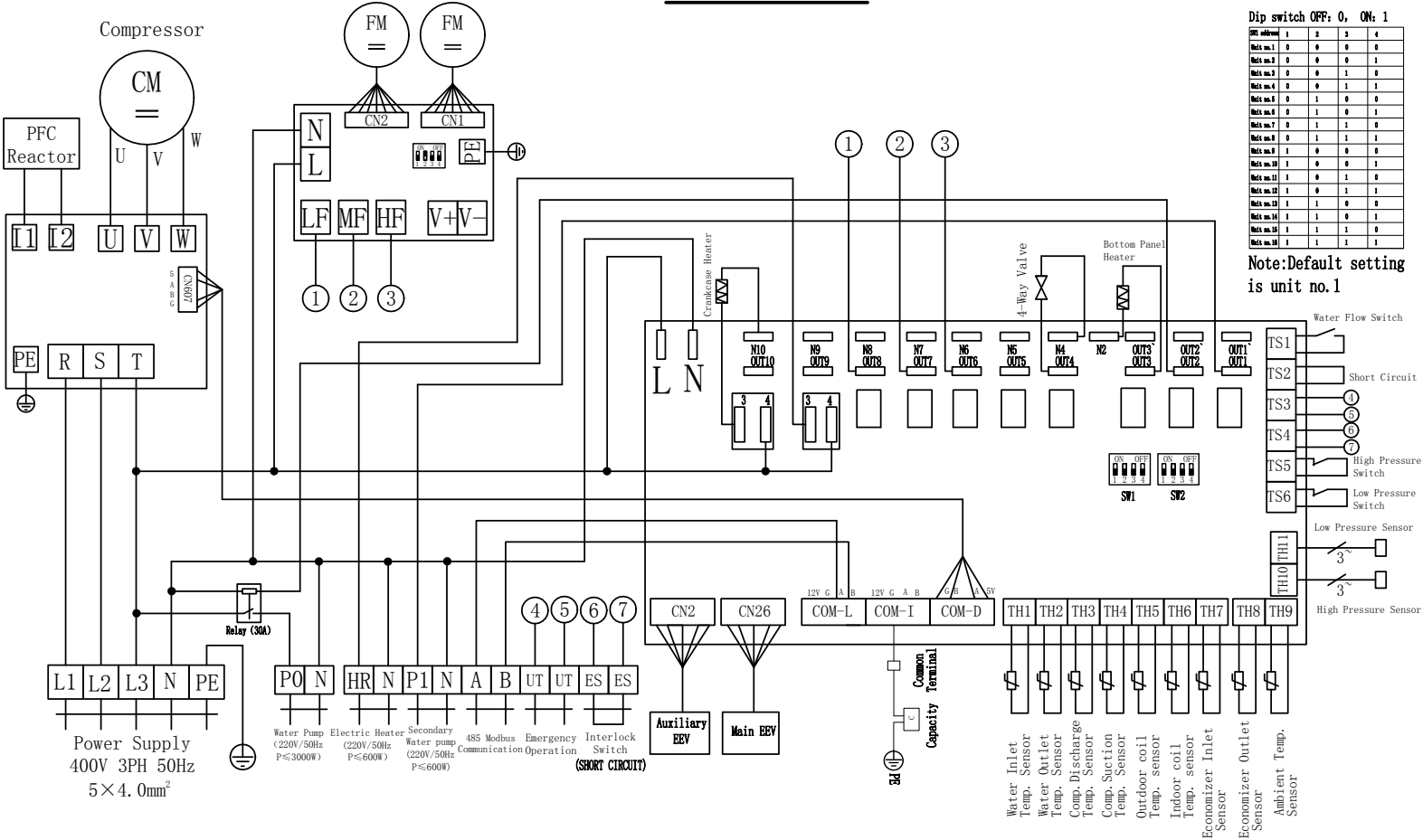


**WIRING DIAGRAM**

Fan Motor 2 Fan Motor 1



Dip switch OFF: 0, ON: 1

SW address	1	2	3	4
Unit no.1	0	0	0	0
Unit no.2	0	0	0	1
Unit no.3	0	0	1	1
Unit no.4	0	0	1	1
Unit no.5	0	1	0	0
Unit no.6	0	1	0	1
Unit no.7	0	1	1	0
Unit no.8	0	1	1	1
Unit no.9	1	0	0	0
Unit no.10	1	0	0	1
Unit no.11	1	0	1	0
Unit no.12	1	0	1	1
Unit no.13	1	1	0	0
Unit no.14	1	1	0	1
Unit no.15	1	1	1	0
Unit no.16	1	1	1	1

Note:Default setting is unit no.1

Water Pump (220V/50Hz P≤3000W)  
 Electric Heater (220V/50Hz P≤600W)  
 Secondary Water pump (220V/50Hz P≤600W)  
 485 Modbus Communication Operation Switch (SHORT CIRCUIT)  
 Emergency Switch  
 Interlock Switch

Water Inlet Temp. Sensor  
 Water Outlet Temp. Sensor  
 Comp. Discharge Temp. Sensor  
 Comp. Suction Temp. Sensor  
 Outdoor coil Temp. sensor  
 Indoor coil Temp. sensor  
 Economizer Inlet Sensor  
 Economizer Outlet Sensor  
 Ambient Temp. Sensor

Water Flow Switch  
 Short Circuit  
 High Pressure Switch  
 Low Pressure Switch  
 Low Pressure Sensor  
 High Pressure Sensor