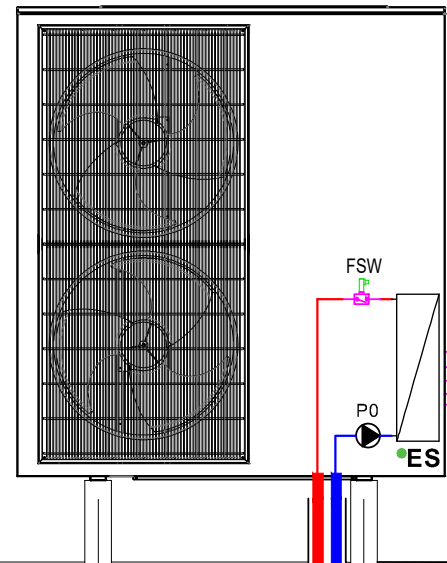
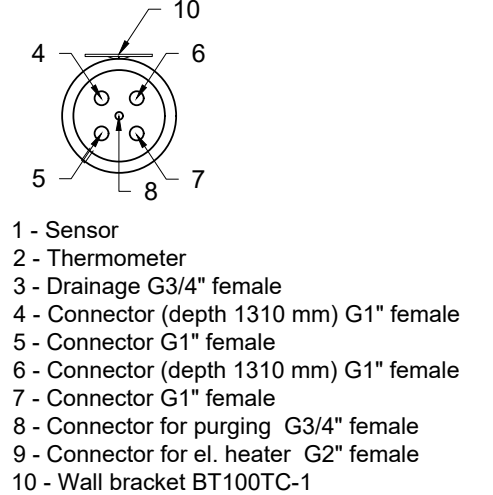
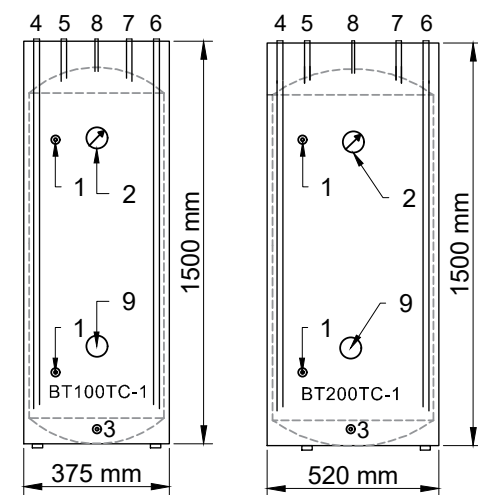
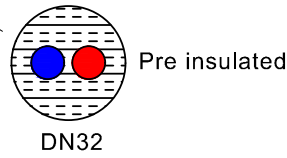
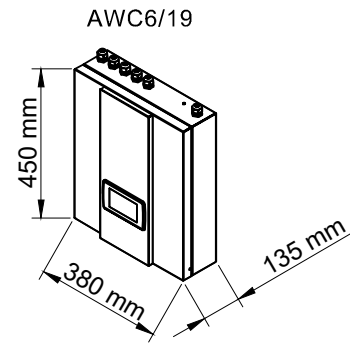
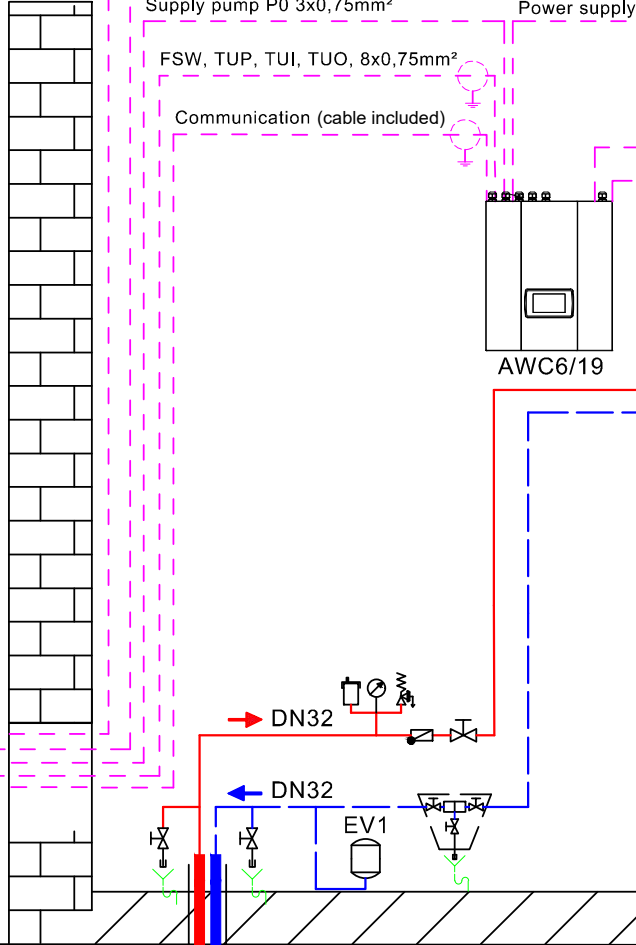
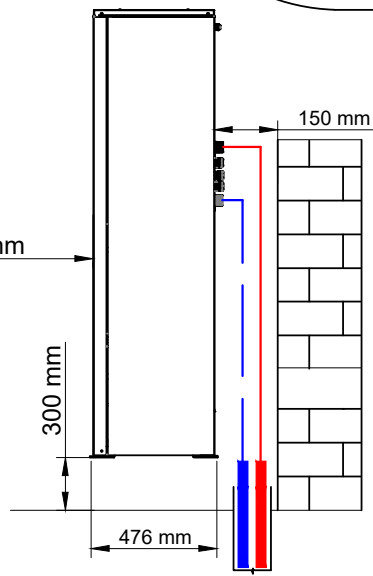


Front view AW15/19-R32-M



Side view AW15/19-R32-M



Classification of the Drawing/Klassifizierung/Klasifikacija risbe:	Date, Datum : 21.2.2020
EIS	Drawing ID/Zeichnungs ID/ Oznaka risbe: Ver1
Title/Title: AWC15/19-R32-M, buffer BT100TC-1/200TC-1, 1 x direct heating / cooling circuit.	Revision/Prüfung/Revizija: MK
Naziv:	