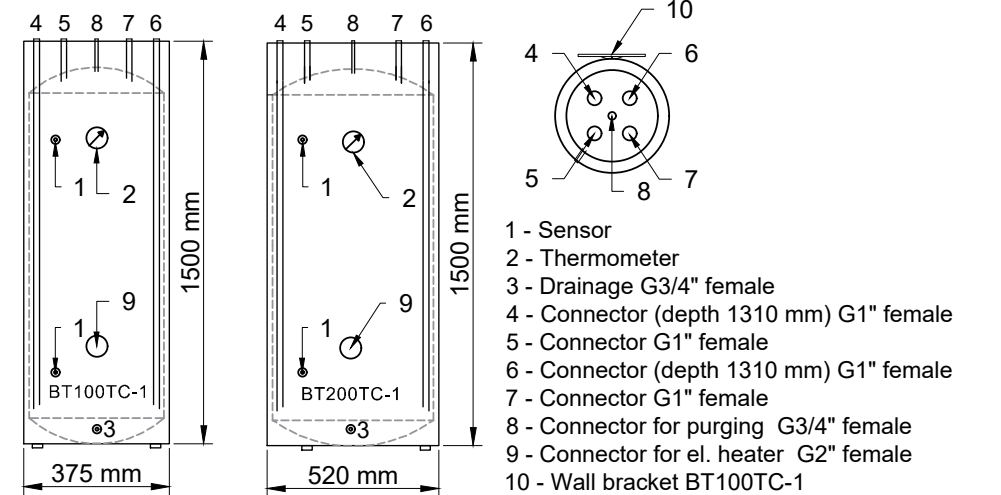
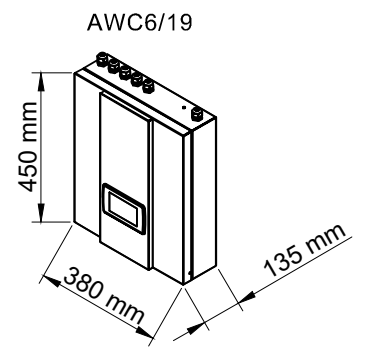
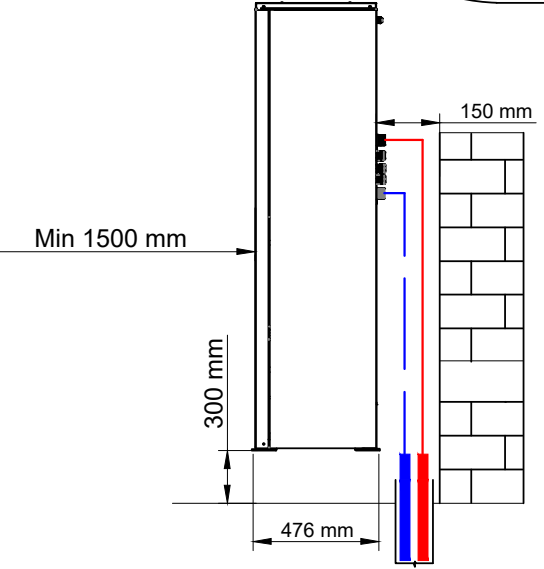


Front view AW15/19-R32-M

Side view AW15/19-R32-M



Classification of the Drawing/Klassifizierung/Klasifikacija risbe:	Date, Datum : 21.2.2020
<b>EIS</b>	Drawing ID/Zeichnungs ID/ Oznaka risbe: <b>Ver1</b>
Title/Title: AWC15/19-R32-M, DHW tank, buffer BT100TC-1/200TC-1, 1 x direct heating / cooling circuit.	Revision/Prüfung/Revizija: MK
Naziv:	