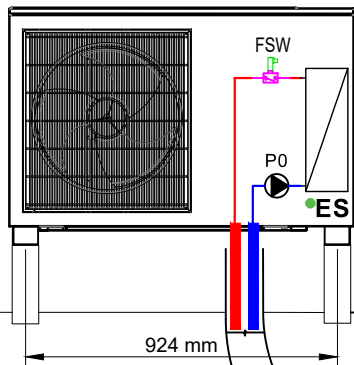
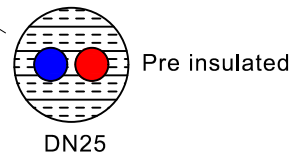


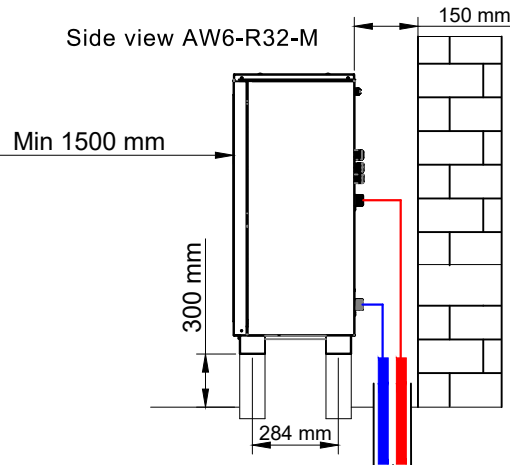
Front view AW6-R32-M



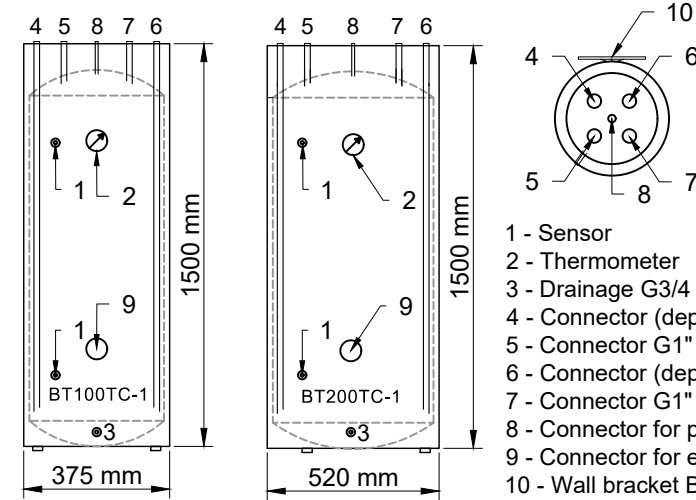
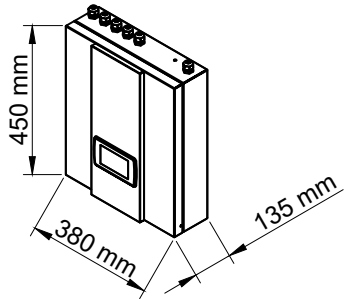
924 mm



Side view AW6-R32-M



AWC6/19



- 1 - Sensor
- 2 - Thermometer
- 3 - Drainage G3/4"
- 4 - Connector (depth 1310 mm) G1"
- 5 - Connector G1"
- 6 - Connector (depth 1310 mm) G1"
- 7 - Connector G1"
- 8 - Connector for purging G3/4"
- 9 - Connector for el. heater G2"
- 10 - Wall bracket BT100TC-1

Classification of the Drawing/Klassifizierung/Klasifikacija risbe:	Date, Datum : 21.2.2020
ES Title/Title: AWC6-R32-M, buffer BT100TC-1/200TC-1, 1 x direct heating / cooling circuit	Drawing ID/Zeichnungs ID/ Oznaka risbe: Ver1
Naziv:	Revision/Prüfung/Revizija: MK