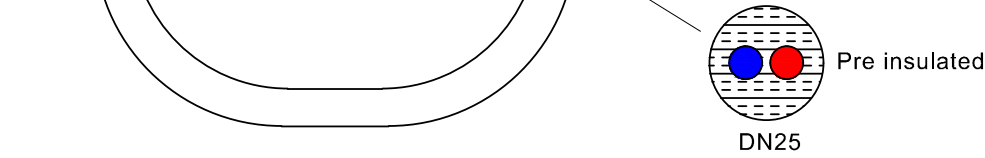
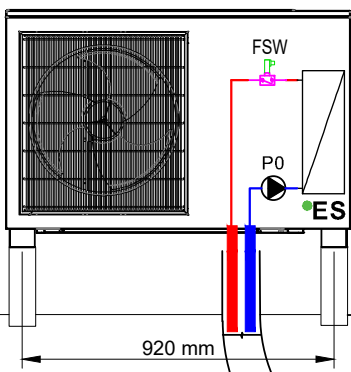
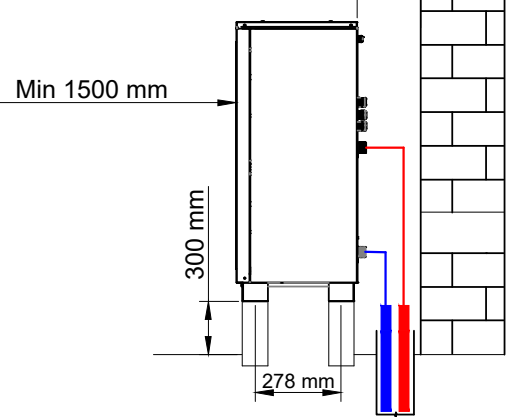


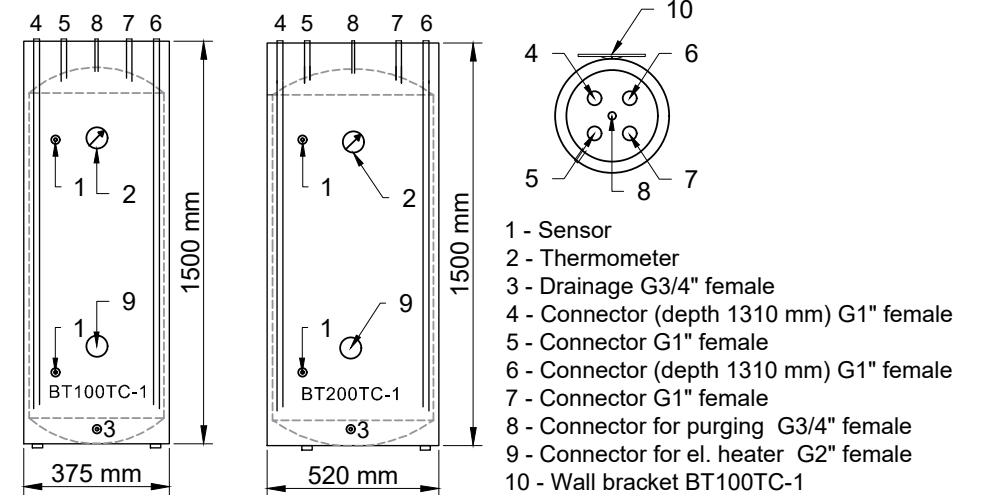
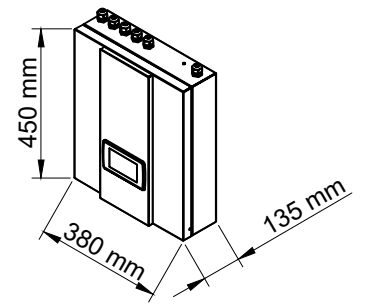
Front view AW6-R32-M



Side view AW6-R32-M



AWC6/19



Classification of the Drawing/Klassifizierung/Klasifikacija risbe:		Date, Datum : 21.2.2020
EIS	Title/Title: AWC6-R32-M, DHW tank, buffer BT100TC-1/200TC-1, 1 x mixing heating / cooling circuit, 1 x direct heating / cooling circ.	Drawing ID/Zeichnungs ID/ Oznaka risbe: Ver1
	Naziv:	Revision/Prüfung/Revizija: MK