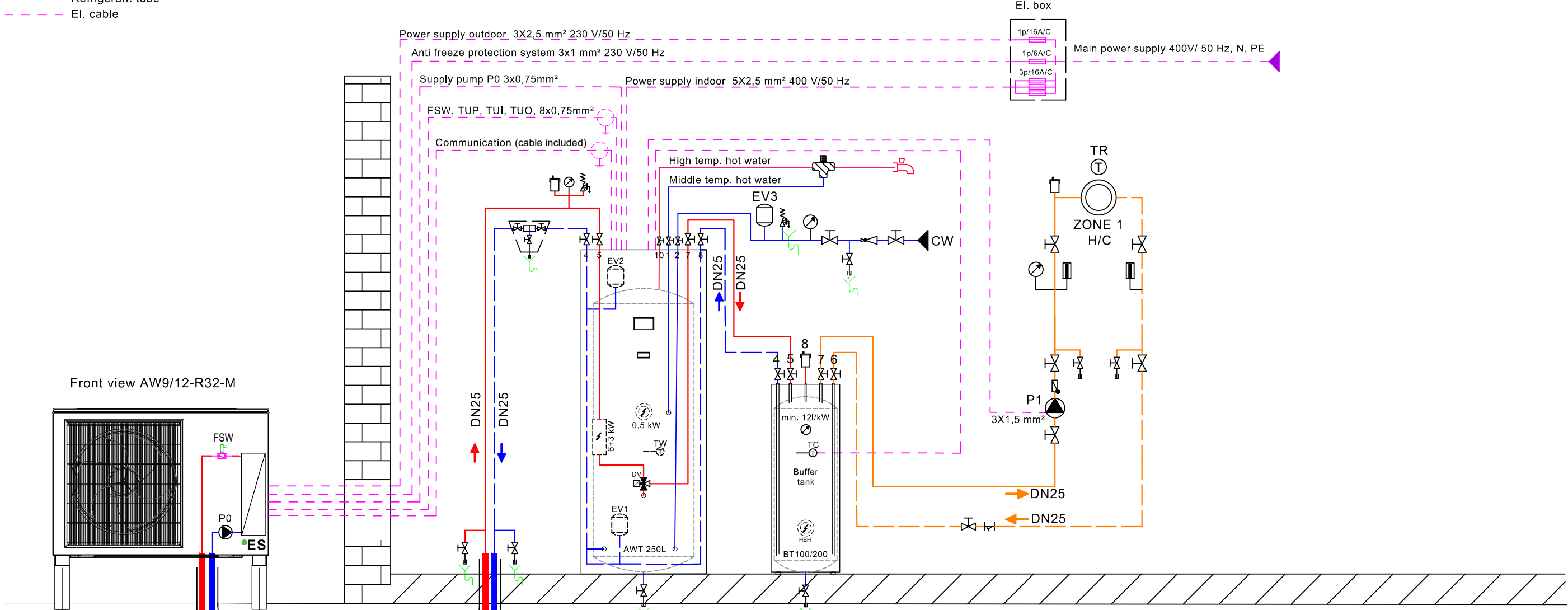


- Legend:**
- HP Flow
 - HP Return
 - HC Flow
 - HC Return
 - Domestic hot water
 - Domestic water
 - Refrigerant tube
 - Refrigerant tube
 - El. cable

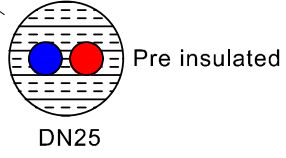
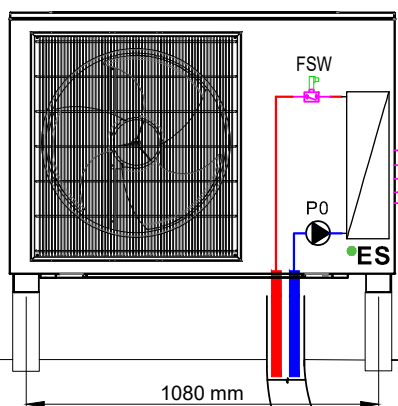
Graphic symbol

- Shut-off valve
- Shut-off valve with check valve
- Shut-off valve with drainage
- Check valve
- Shut-off valve with drainage
- Temperature regulating valve (30-60°C)
- Three-way diverting valve
- Three-way mixing valve
- Safety valve combination
- Heat consumer
- Circulating pump
- Flexible pipe
- Thermometer
- Pressure regulator
- Flow switch
- Filter
- Overflow valve
- Temperature sensor
- Air vent
- Manometer
- Runoff to the sewer system
- Two-way valve
- 4 way diverting valve
- Magnetic filter

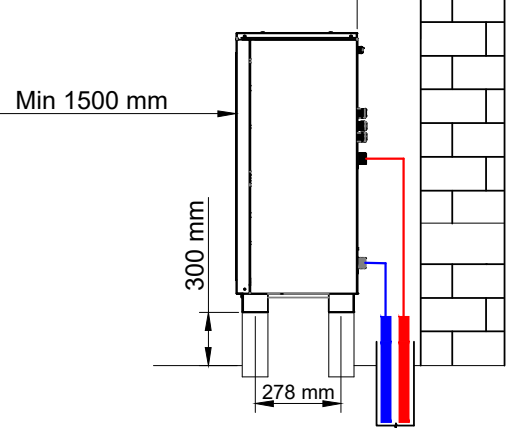
- EV1/2 Expansion vessel heating system
- EV3 Expansion vessel DHW system
- MV1/2 Proportional mixing actuator
- 24VDC / 0-10V SELTRON PROMIX AVC10Y
- ESBE ARA 639



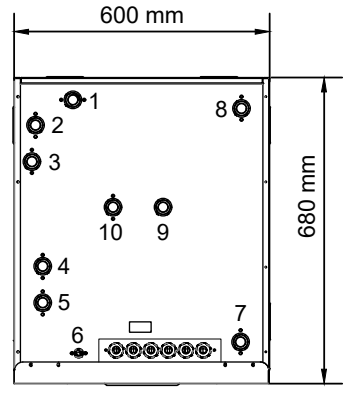
Front view AW9/12-R32-M



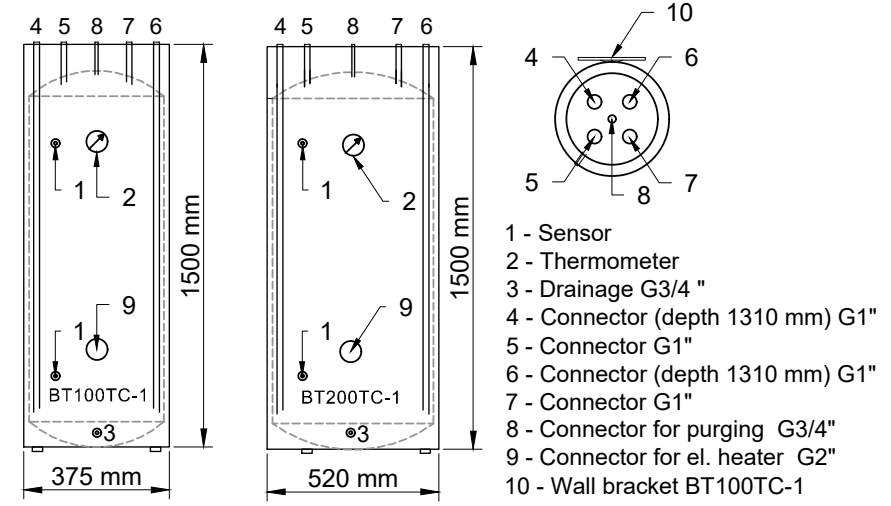
Side view AW9/12-R32-M



Top view indoor AWT6/12-R32-M



- 1 - Middle temperature sanitary hot water outlet G1"
- 2 - Filling water to coil CW G1"
- 3 - Filling water to water tank G3/4"
- 4 - Water outlet - back to outdoor unit G1"
- 5 - Water inlet - from outdoor unit G1"
- 6 - Automatic Air purging valve G1"
- 7 - Water to heating / cooling system G1"
- 8 - Water from heating / cooling system G1"
- 9 - Safety valve connection G1"
- 10 - High temperature sanitary water outlet G1"



- 1 - Sensor
- 2 - Thermometer
- 3 - Drainage G3/4 "
- 4 - Connector (depth 1310 mm) G1"
- 5 - Connector G1"
- 6 - Connector (depth 1310 mm) G1"
- 7 - Connector G1"
- 8 - Connector for purging G3/4"
- 9 - Connector for el. heater G2"
- 10 - Wall bracket BT100TC-1

Classification of the Drawing/Klassifizierung/Klasifikacija risbe:	Date, Datum : 21.2.2020
EIS	Drawing ID/Zeichnungs ID/ Oznaka risbe: Ver1
Title/Title: AWT9/12-R32-M, BT100TC-1/BT200TC-1, 1 x direct heating/cooling circuit	Revision/Prüfung/Revizija: MK
Naziv:	