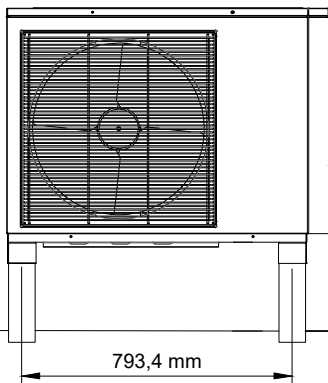
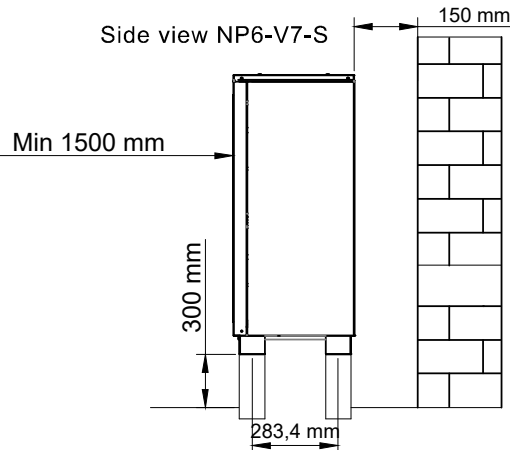


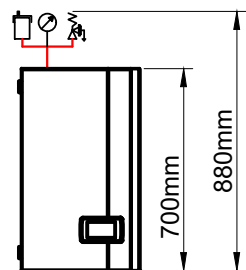
Front view NP6-V7-S



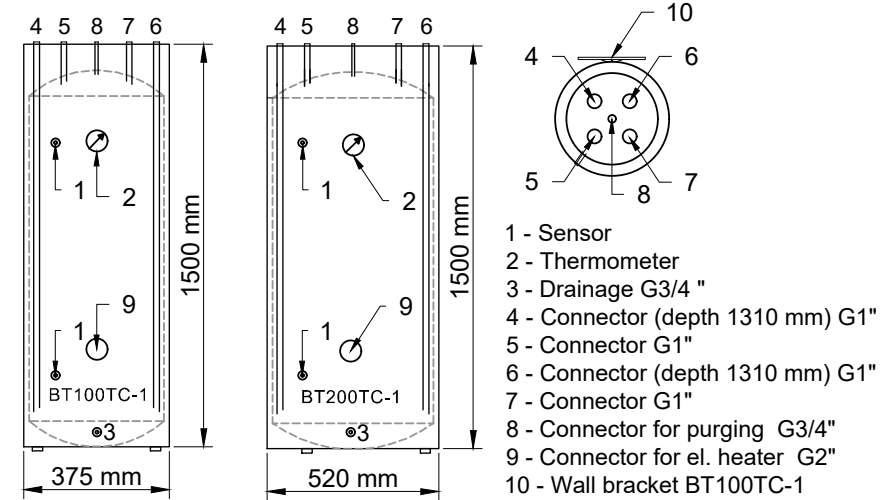
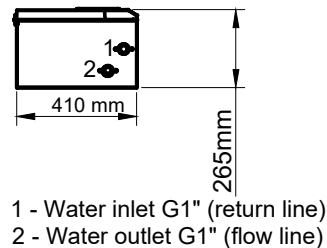
Side view NP6-V7-S



Front view NPH



Bottom view NPH



Classification of the Drawing/Klassifizierung/Klasifikacija risbe:		Date, Datum : 21.2.2020
Title/Title: NPH6-V7-S, DHW tank, buffer BT100TC-1/200TC-1, 2 x mixing heating circuit, 2 x mixing heating / cooling circuit		Drawing ID/Zeichnungs ID/ Oznaka risbe: Ver1
Naziv:		Revision/Prüfung/Revizija: MK