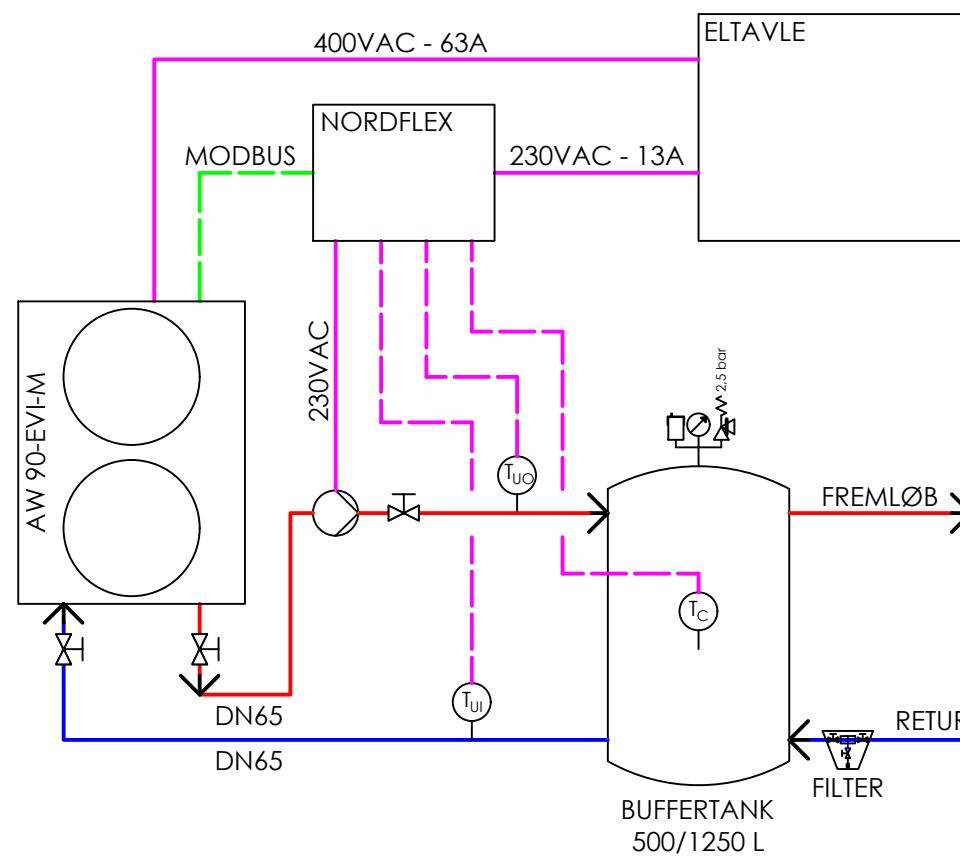


BEMÆRK: Alle temperatursensorer placeres i dyklommer.

- Forward
- Return
- Supply Power
- Power Cable
- - - Electrical Signal
- - - MODBUS

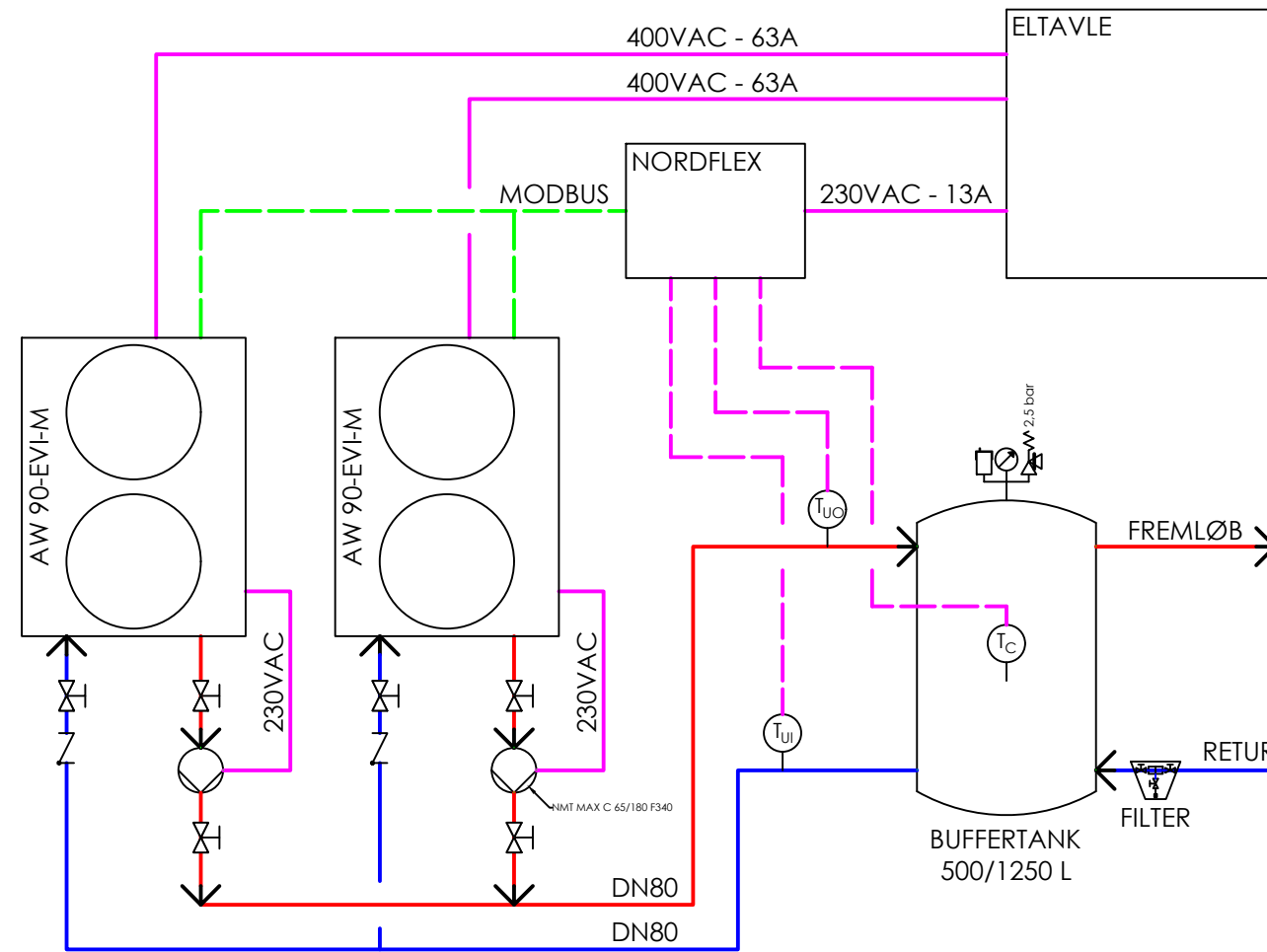
HEATSAVE		Designer:	KDH	28-03-2023
	Helge Nielsens Alle 7, 3A DK-8723 Løsnng, Denmark +45 70 60 56 25 kontakt@heatsave.dk www.heatsave.dk	Customer Drawing No.: -----	Approver:	CR
Description:	Installationsprincip: 1x AW90-EVI-M		Project: -----	
Sheet size:	Scale:	Sheet no.:	Sheets:	Revision:
A3	1:1	1	1	01



- Forward
- Return
- Supply Power
- Power Cable
- - - Electrical Signal
- - - MODBUS

BEMÆRK: Alle temperatursensorer placeres i dyklommer.

HEATSAVE		Designer:	KDH	28-03-2023
	Helge Nielsens Alle 7, 3A DK-8723 Løsning, Denmark +45 70 60 56 25 kontakt@heatsave.dk www.heatsave.dk		Approver:	CR
Customer Drawing No.:	Customer:	Project: ----		
Description:	Installationsprincip: 1x AW90-EVI-M	Drawing No.:	1xAW90_P1	
Sheet size:	Scale:	Sheet no.:	Sheets:	Revision:
A3	1:1	1	1	01

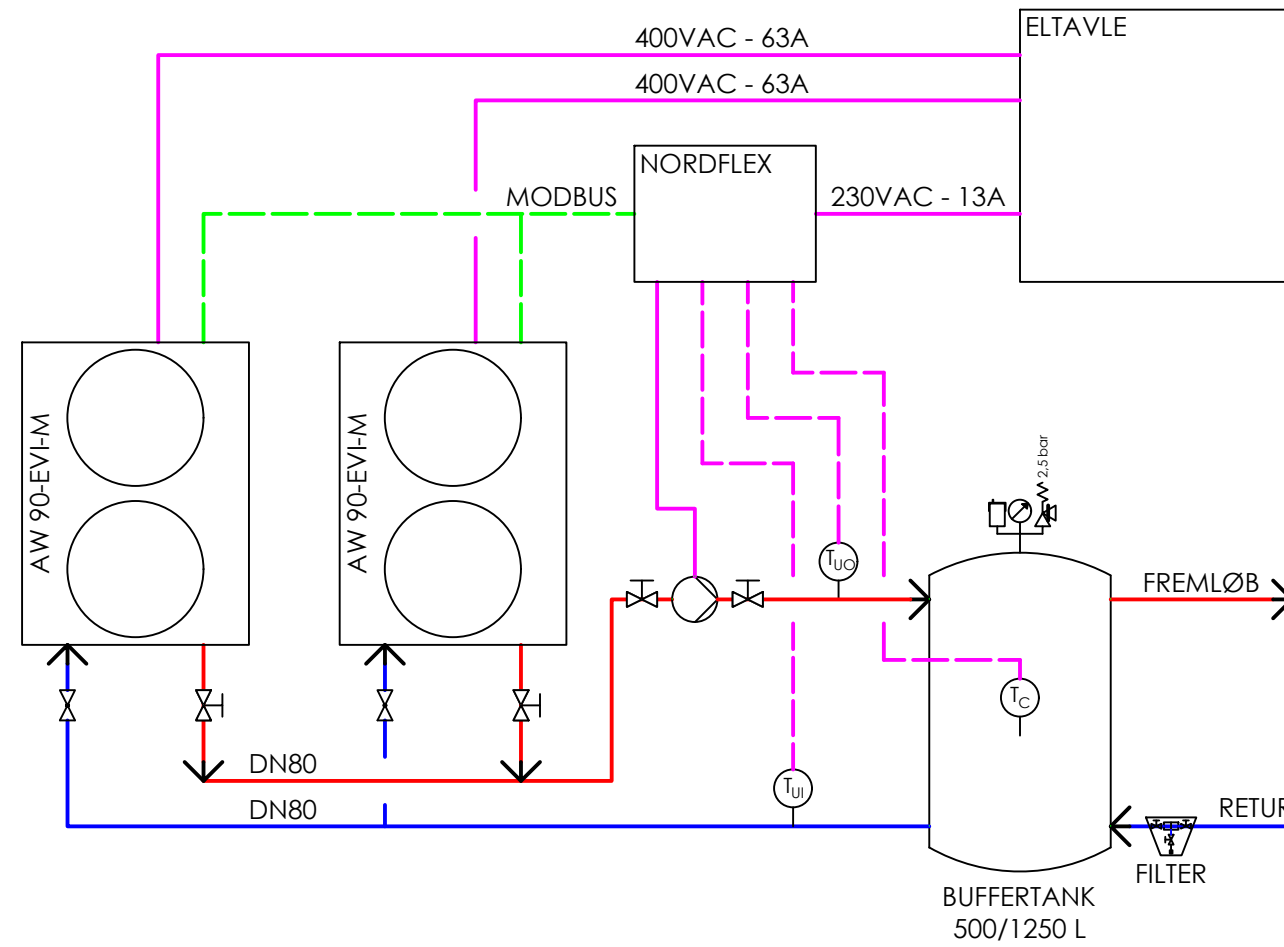


- Forward
- Return
- Supply Power
- Power Cable
- Electrical Signal
- MODBUS

BEMÆRK: Alle temperatursensorer placeres i dyklommer.

HEATSAVE		Designer:	KDH	28-03-2023
	Helge Nielsens Alle 7, 3A DK-8723 Lønsing, Denmark +45 70 60 56 25 kontakt@heatsave.dk www.heatsave.dk		Approver:	CR
Customer Drawing No.:	Customer:	Project:		

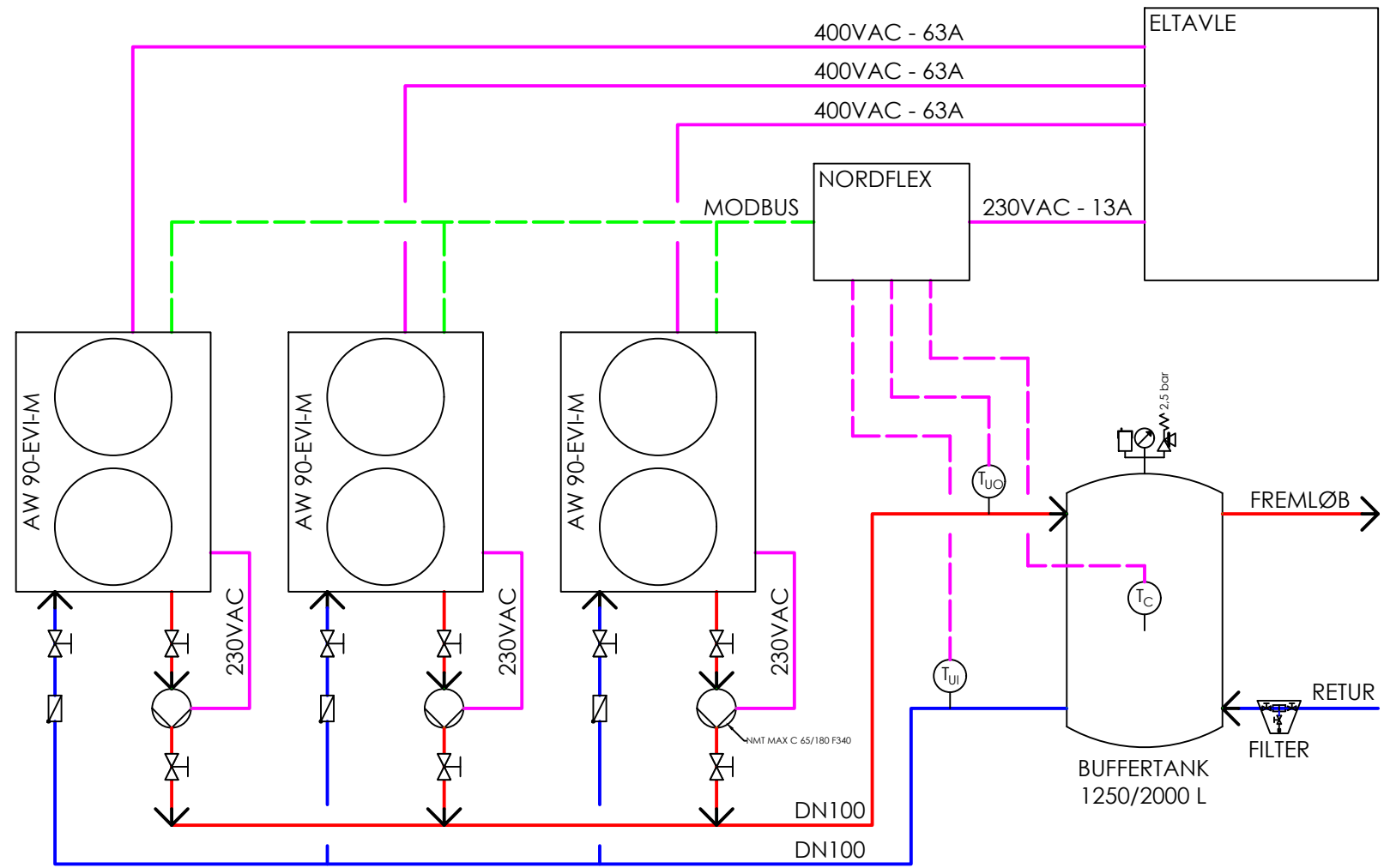
Description: Installationsprincip: 2x AW90-EVI-M		Drawing No.:	2xAW90_P	
Sheet size:	Scale:	Sheet no.:	Sheets:	Revision:
A3	1:1	1	1	01



- Forward
- Return
- Supply Power
- Power Cable
- Electrical Signal
- MODBUS

BEMÆRK: Alle temperatursensorer placeres i dyklommer.

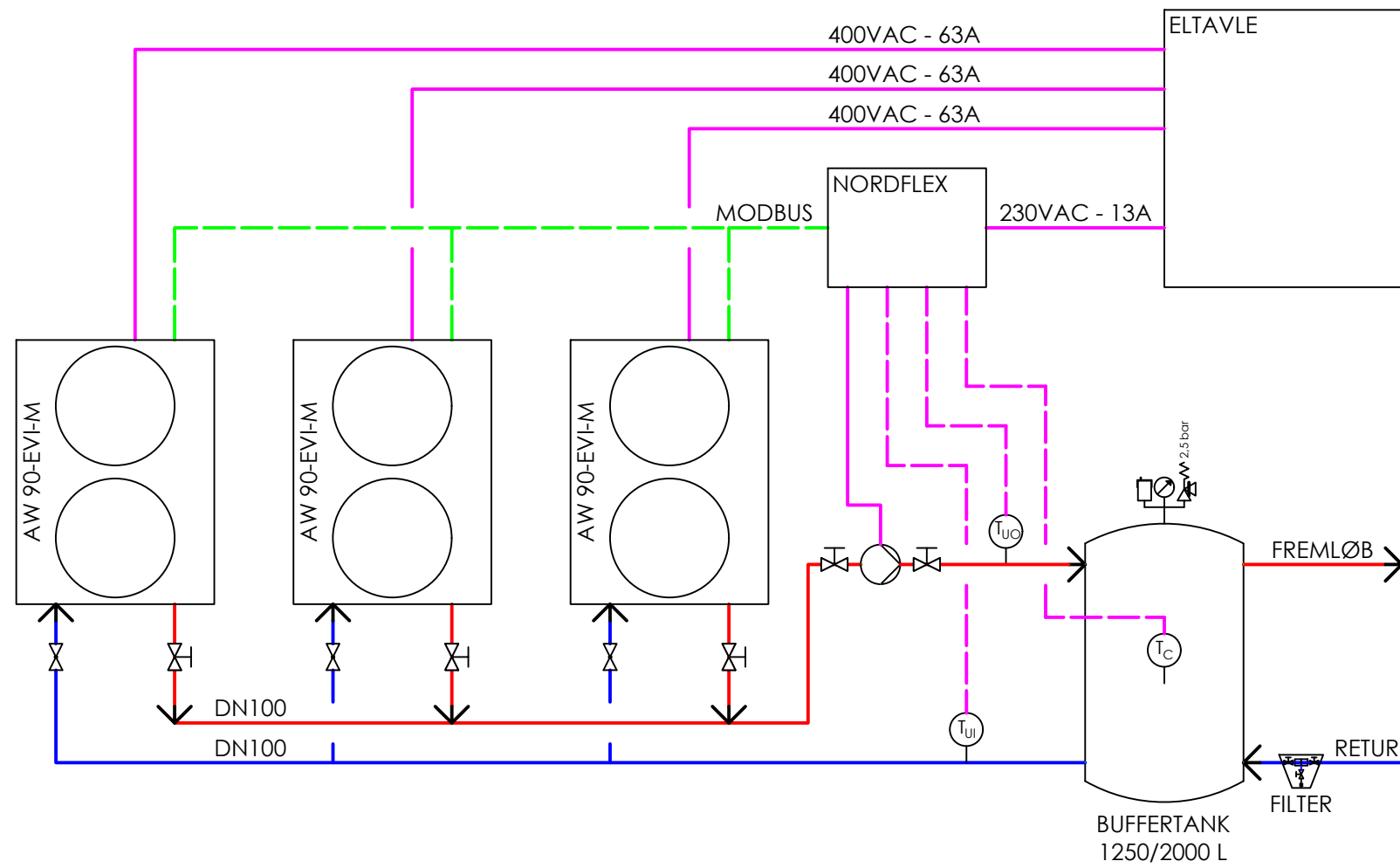
<b style="font-size: 1.2em; color: green;">HEATSAVE <small>Helge Nielsens Alle 7, 3A DK-8723 Lønsing, Denmark +45 70 60 56 25 kontakt@heatsave.dk www.heatsave.dk</small>		Designer:	KDH	28-03-2023
		Approver:	CR	28-03-2023
Customer Drawing No.:	Customer:	Project: ----		
Description:	Installationsprincip: 2x AW90-EVI-M		Drawing No.: 2xAW90_P1	
	Sheet size:	Scale:	Sheet no.:	Sheets:
	A3	1:1	1	1
				Revision: 01



- Forward
- Return
- Supply Power
- Power Cable
- - - Electrical Signal
- - - MODBUS

BEMÆRK: Alle temperatursensorer placeres i dyklommer.

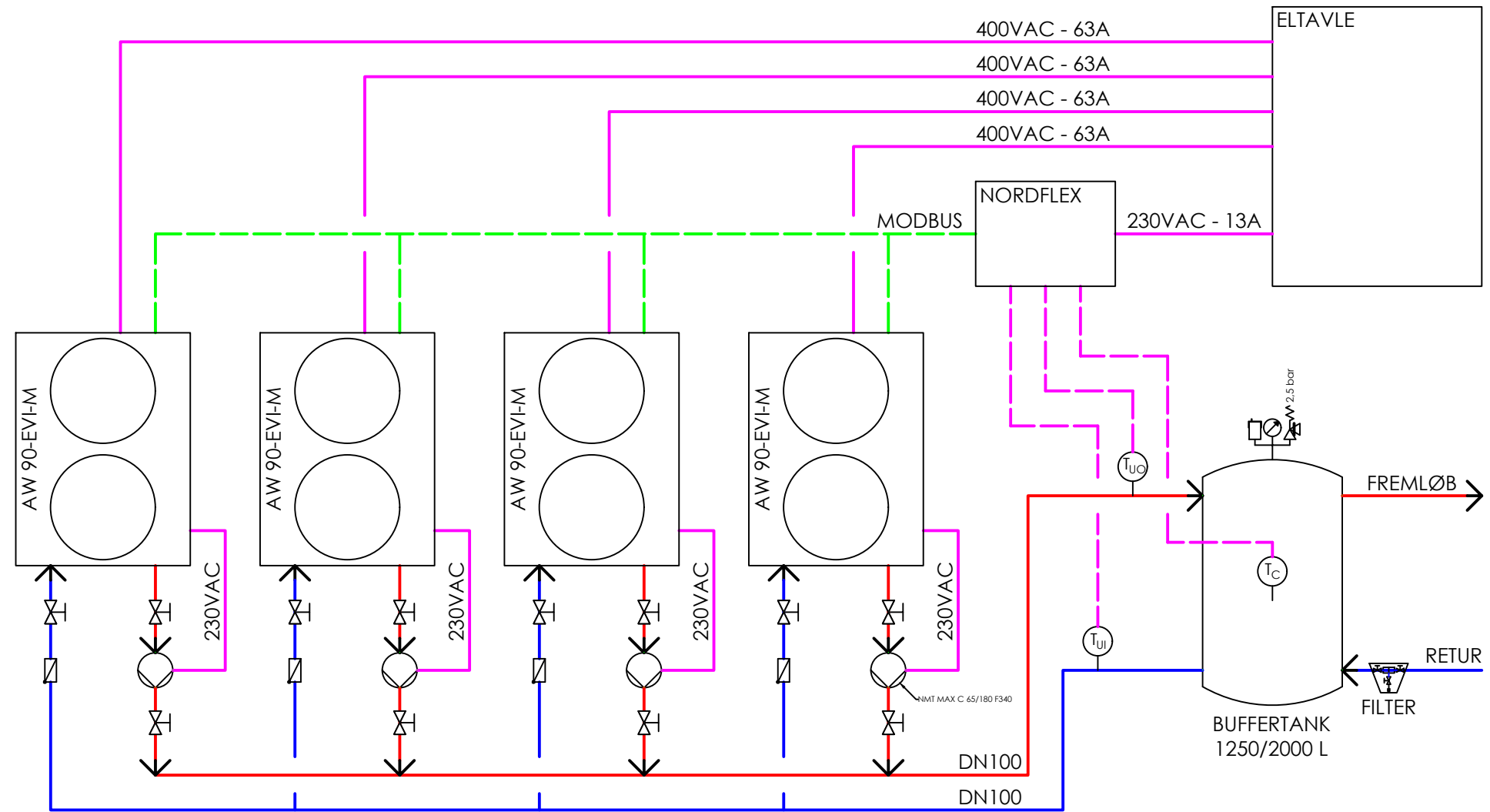
HEATSAVE <small>Helge Nielsens Alle 7, 3A DK-8723 Løsning, Denmark +45 70 60 56 25 kontakt@heatsave.dk www.heatsave.dk</small>	Designer:	KDH	28-03-2023
	Approver:	CR	28-03-2023
Customer Drawing No.:	Customer:	Project: ----	
Description: Installationsprincip: 3x AW90-EVI-M		Drawing No.:	3xAW90_P
	Sheet size:	Scale:	Sheet no.:
	A3	1:1	1
		Sheets:	Revision:
		1	01



- Forward
- Return
- Supply Power
- Power Cable
- - - Electrical Signal
- - - MODBUS

BEMÆRK: Alle temperatursensorer placeres i dyklommer.

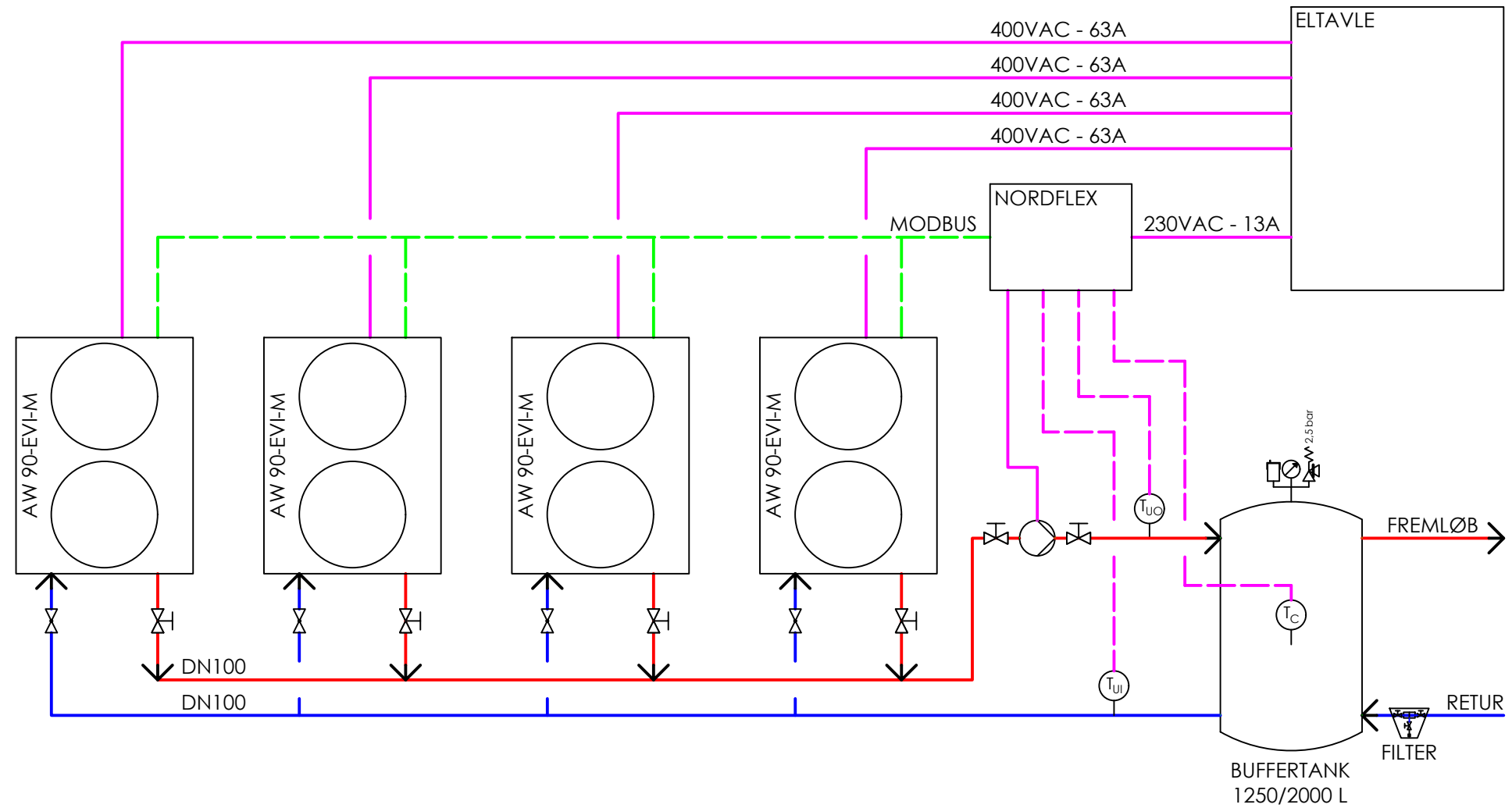
HEATSAVE <small>Helge Nielsens Alle 7, 3A DK-8723 Løsning, Denmark +45 70 60 56 25 kontakt@heatsave.dk www.heatsave.dk</small>	Designer:	KDH	28-03-2023
	Approver:	CR	28-03-2023
Customer Drawing No.:	Customer:	Project: ----	
Description: Installationsprincip: 3x AW90-EVI-M		Drawing No.:	3xAW90_P1
	Sheet size:	Scale:	Sheet no.:
	A3	1:1	1
		Sheets:	Revision:
		1	01



- Forward
- Return
- Supply Power
- Power Cable
- Electrical Signal
- MODBUS

BEMÆRK: Alle temperatursensorer placeres i dyklommer.

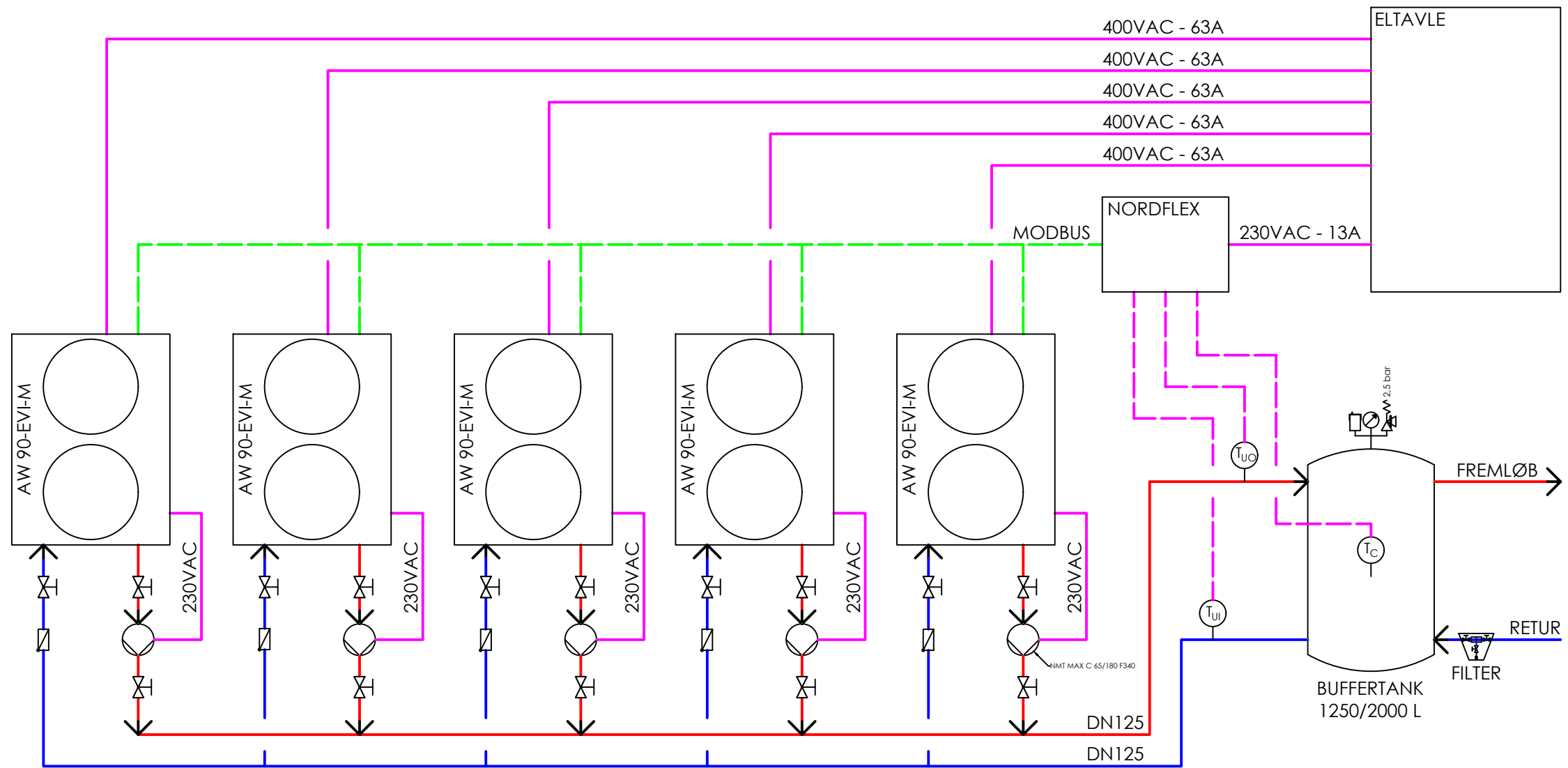
HEATSAVE <small>Helge Niensens Alle 7, 3A DK-8723 Løsning, Denmark +45 70 60 56 25 kontakt@heatsave.dk www.heatsave.dk</small>		Designer:	KDH	28-03-2023
		Approver:	CR	28-03-2023
Customer Drawing No.:	Customer:	Project: ----		
Description: Installationsprincip: 4x AW90-EVI-M		Drawing No.:	4xAW90_P	
	Sheet size:	Scale:	Sheet no.:	Sheets:
	A3	1:1	1	1
			Revision:	01



- Forward
- Return
- Supply Power
- Power Cable
- - - Electrical Signal
- - - MODBUS

BEMÆRK: Alle temperatursensorer placeres i dyklommer.

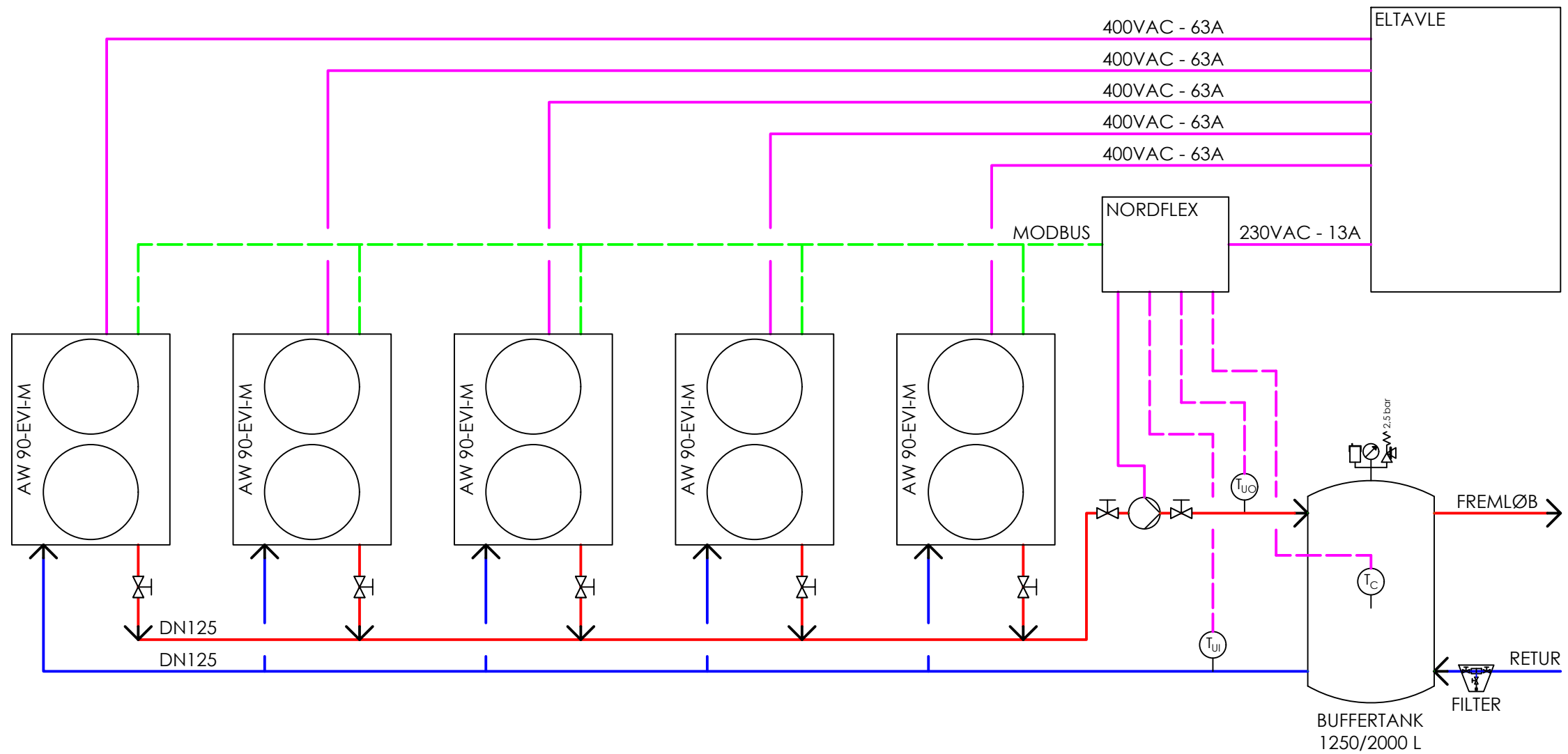
HEATSAVE <small>Helge Nielsens Alle 7, 3A DK-8723 Lønsing, Denmark +45 70 60 56 25 kontakt@heatsave.dk www.heatsave.dk</small>	Designer:	KDH	28-03-2023
	Approver:	CR	28-03-2023
Customer Drawing No.:	Customer:	Project: ----	
Description: Installationsprincip: 4x AW90-EVI-M		Drawing No.:	4xAW90_P1
	Sheet size:	Scale:	Sheet no.:
	A3	1:1	1
		Sheets:	Revision:
		1	01



- Forward
- Return
- Supply Power
- Power Cable
- Electrical Signal
- MODBUS

BEMÆRK: Alle temperatursensorer placeres i dyklommer.

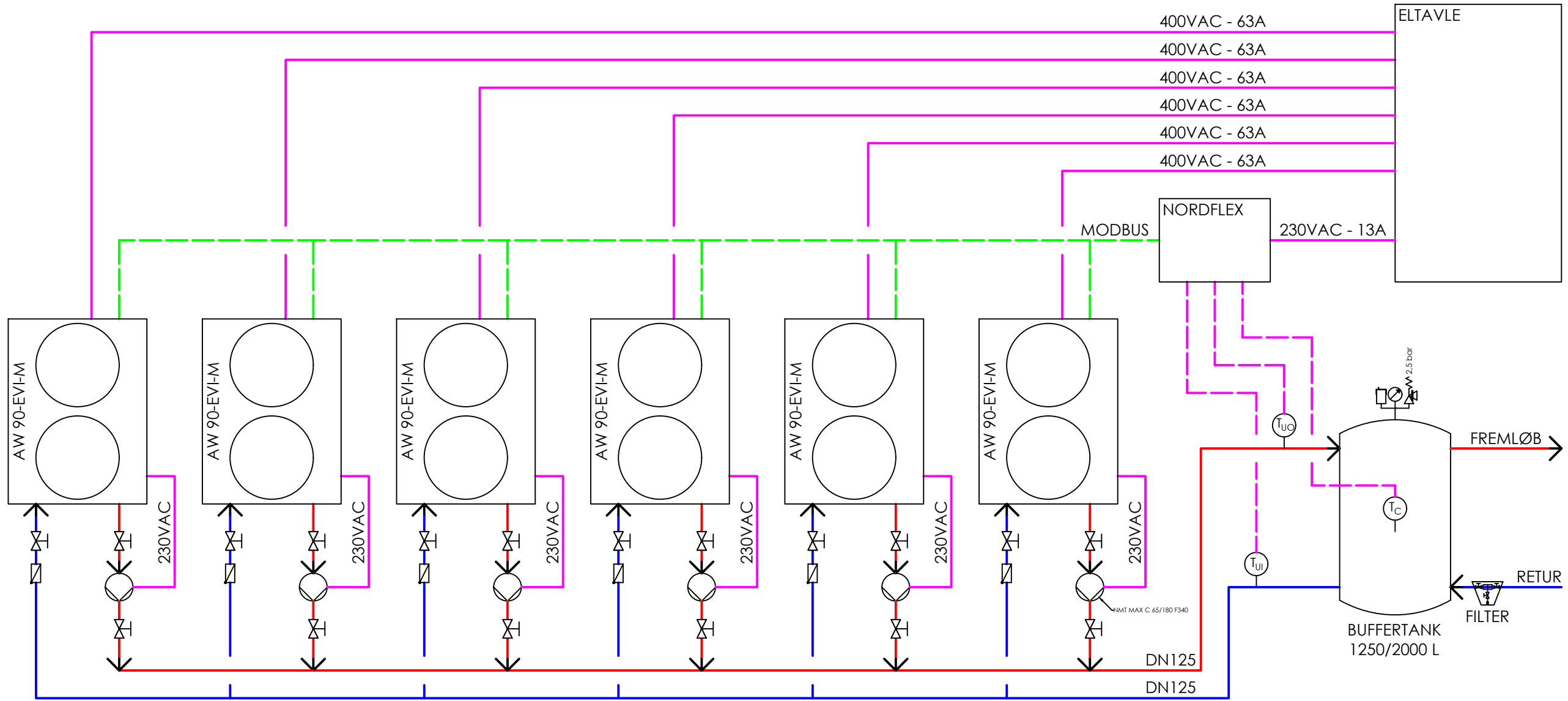
HEATSAVE <small>Helge Niensens Alle 7, 3A DK-8723 Løsnng, Denmark +45 70 60 56 25 kontakt@heatsave.dk www.heatsave.dk</small>	Designer:	KDH	28-03-2023
	Approver:	CR	28-03-2023
Customer Drawing No.:	Customer:	Project: ----	
Description: Installationsprincip: 5x AW90-EVI-M		Drawing No.:	5xAW90_P
	Sheet size:	Scale:	Sheet no.:
	A3	1:1	1
		Sheets:	Revision:
		1	01



- Forward
- Return
- Supply Power
- Power Cable
- - - Electrical Signal
- - - MODBUS

BEMÆRK: Alle temperatursensorer placeres i dyklommer.

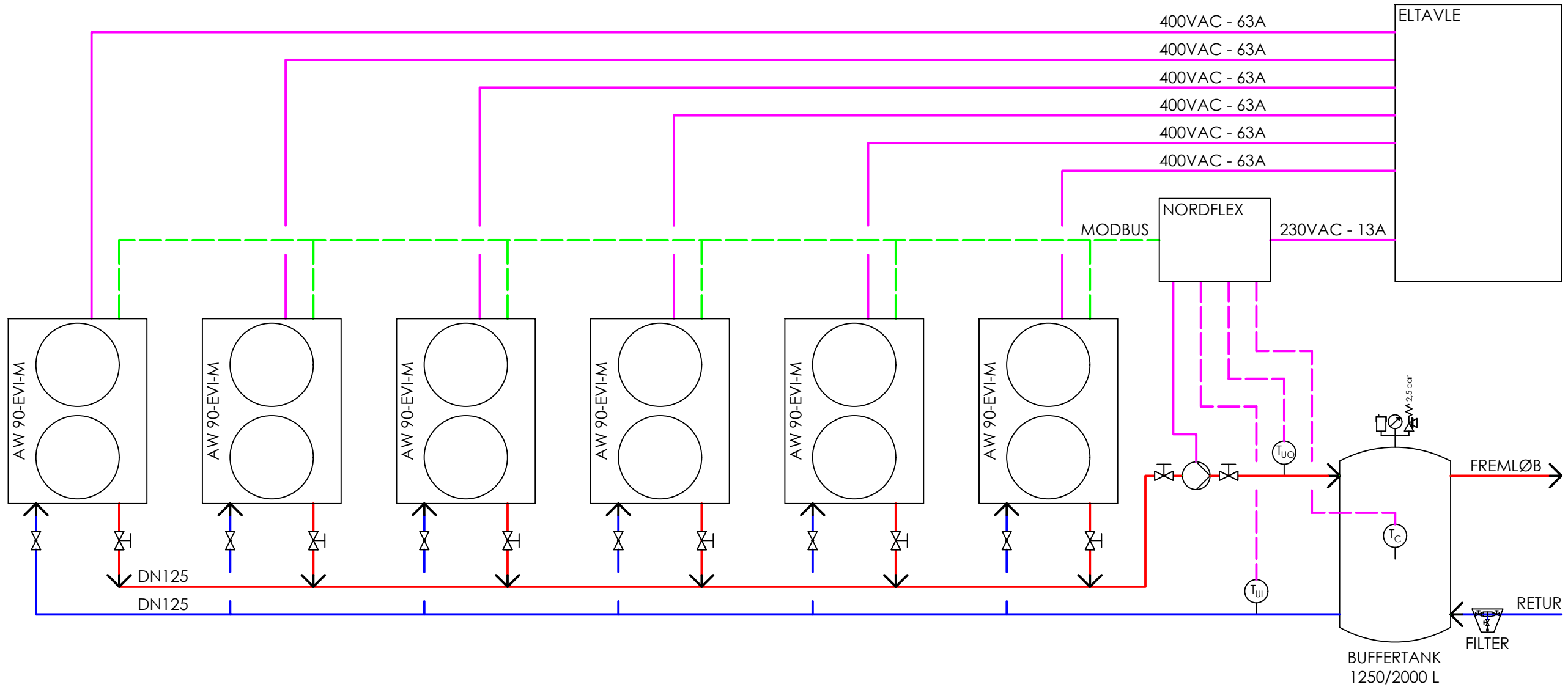
HEATSAVE <small>Helge Nielsens Alle 7, 3A DK-8723 Lønsing, Denmark +45 70 60 56 25 kontakt@heatsave.dk www.heatsave.dk</small>	Designer:	KDH	28-03-2023
	Approver:	CR	28-03-2023
Customer Drawing No.:	Customer:	Project: ----	
Description: Installationsprincip: 5x AW90-EVI-M		Drawing No.:	5xAW90_P1
	Sheet size:	Scale:	Sheet no.:
	A3	1:1	1
		Sheets:	Revision:
		1	01



- Forward
- Return
- Supply Power
- Power Cable
- Electrical Signal
- MODBUS

BEMÆRK: Alle temperatursensorer placeres i dyklommer.

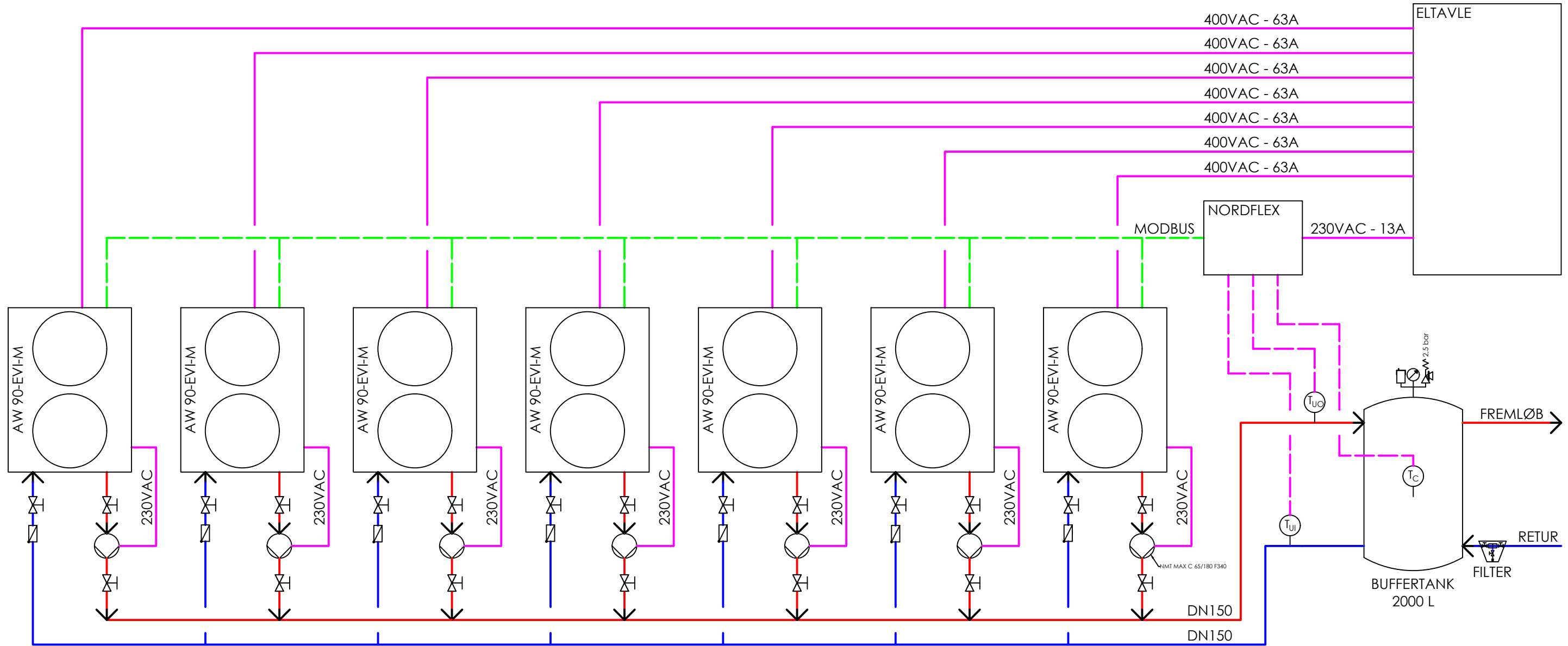
HEATSAVE <small>Helge Nielsens Alle 7, 3A DK-8723 Løsning, Denmark +45 70 60 56 25 kontakt@heatsave.dk www.heatsave.dk</small>		Designer:	KDH	28-03-2023
		Approver:	CR	28-03-2023
Customer Drawing No.:	Customer:	Project: ----		
Description: Installationsprincip: 6x AW90-EVI-M		Drawing No.: 6xAW90_P		
Sheet size:	Scale:	Sheet no.:	Sheets:	Revision:
A3	1:1	1	1	01



- Forward
- Return
- Supply Power
- Power Cable
- Electrical Signal
- MODBUS

BEMÆRK: Alle temperatursensorer placeres i dyklommer.

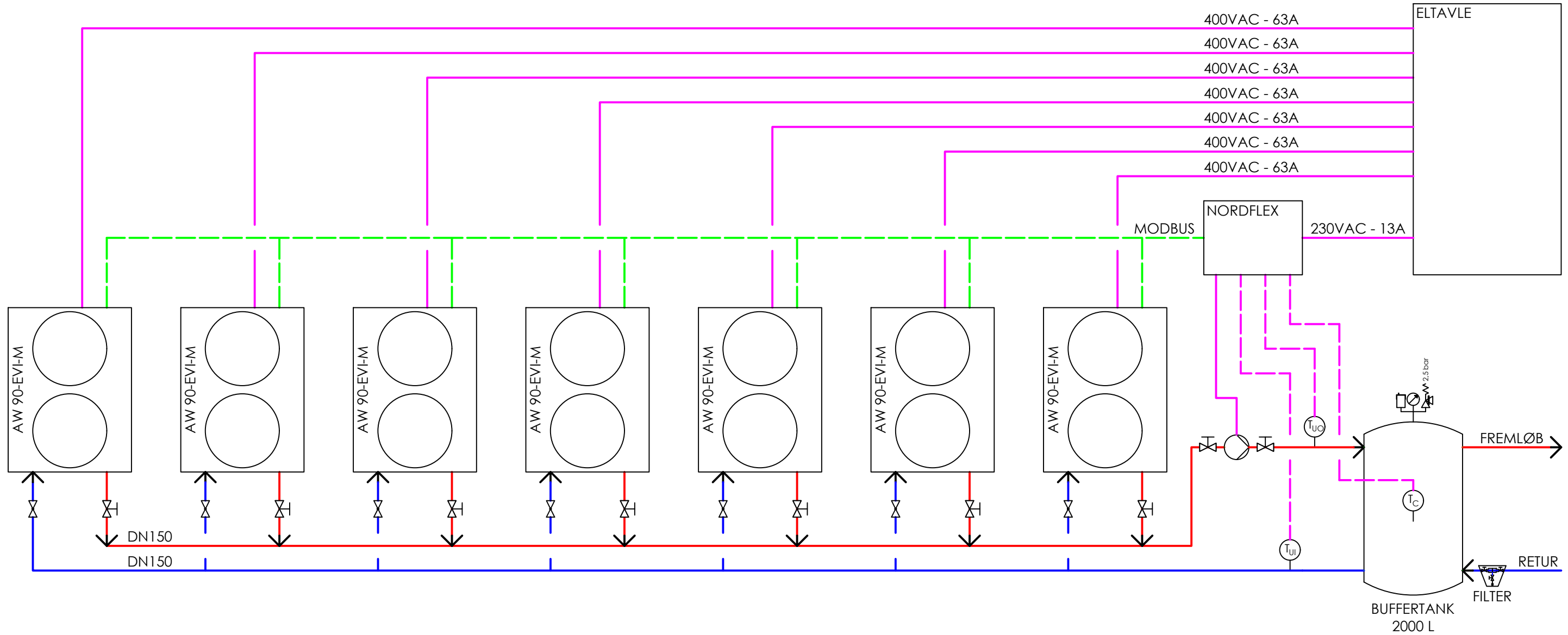
HEATSAVE <small>Helge Niensens Alle 7, 3A DK-8723 Løsnig, Denmark +45 70 60 56 25 kontakt@heatsave.dk www.heatsave.dk</small>		Designer:	KDH	28-03-2023
		Approver:	CR	28-03-2023
Customer Drawing No.:	Customer:	Project: ----		
Description: Installationsprincip: 6x AW90-EVI-M		Drawing No.: 6xAW90_P1		
Sheet size:	Scale:	Sheet no.:	Sheets:	Revision:
A3	1:1	1	1	01



BEMÆRK: Alle temperatursensorer placeres i dyklommer.

- Forward
- Return
- Supply Power
- Power Cable
- Electrical Signal
- MODBUS

HEATSAVE	Helge Nielsens Alle 7, 3A DK-8723 Løsning, Denmark +45 70 60 56 25 kontakt@heatsave.dk www.heatsave.dk	Designer: KDH	28-03-2023
	Customer Drawing No.:	Customer:	Approver: CR
Description: Installationsprincip: 7x AW45-EVI-M		Project: -----	
Drawing No.:	Sheet size:	Scale:	Revision:
7xAW90_P	A3	1:1	01
Customer Drawing No.:	Customer:	Sheet no.:	Revision:
-----	-----	1	01



- Forward
- Return
- Supply Power
- Power Cable
- - - Electrical Signal
- - - MODBUS

BEMÆRK: Alle temperatursensorer placeres i dyklommer.

HEATSAVE <small>Helge Nielsens Alle 7, 3A DK-8723 Løsning, Denmark +45 70 60 56 25 kontakt@heatsave.dk www.heatsave.dk</small>	Designer:	KDH	28-03-2023
	Approver:	CR	28-03-2023
Customer Drawing No.:	Customer:	Project: ----	
Description: Installationsprincip: 7x AW90-EVI-M		Drawing No.:	7xAW90_P1
	Sheet size:	Scale:	Sheet no.:
	A3	1:1	1
		Sheets:	Revision:
		1	01